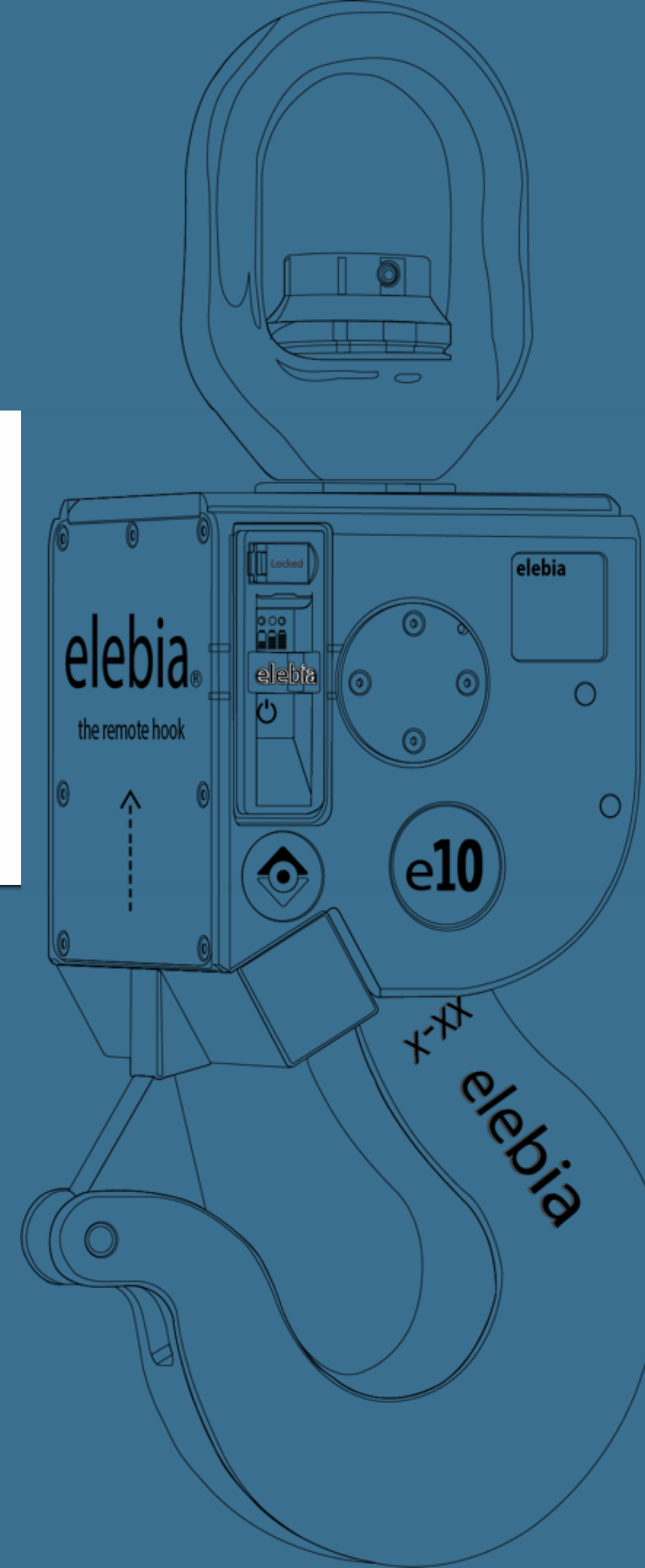


elebia®

the remote hook



the remote hook

The elebia automatic hook is the **ONLY** hook that allows you to remotely attach and release the load with **no handling**.



Increases:

- **productivity**
- **safety**
- **confort**

how does it works?



1. The magnet attracts the ring



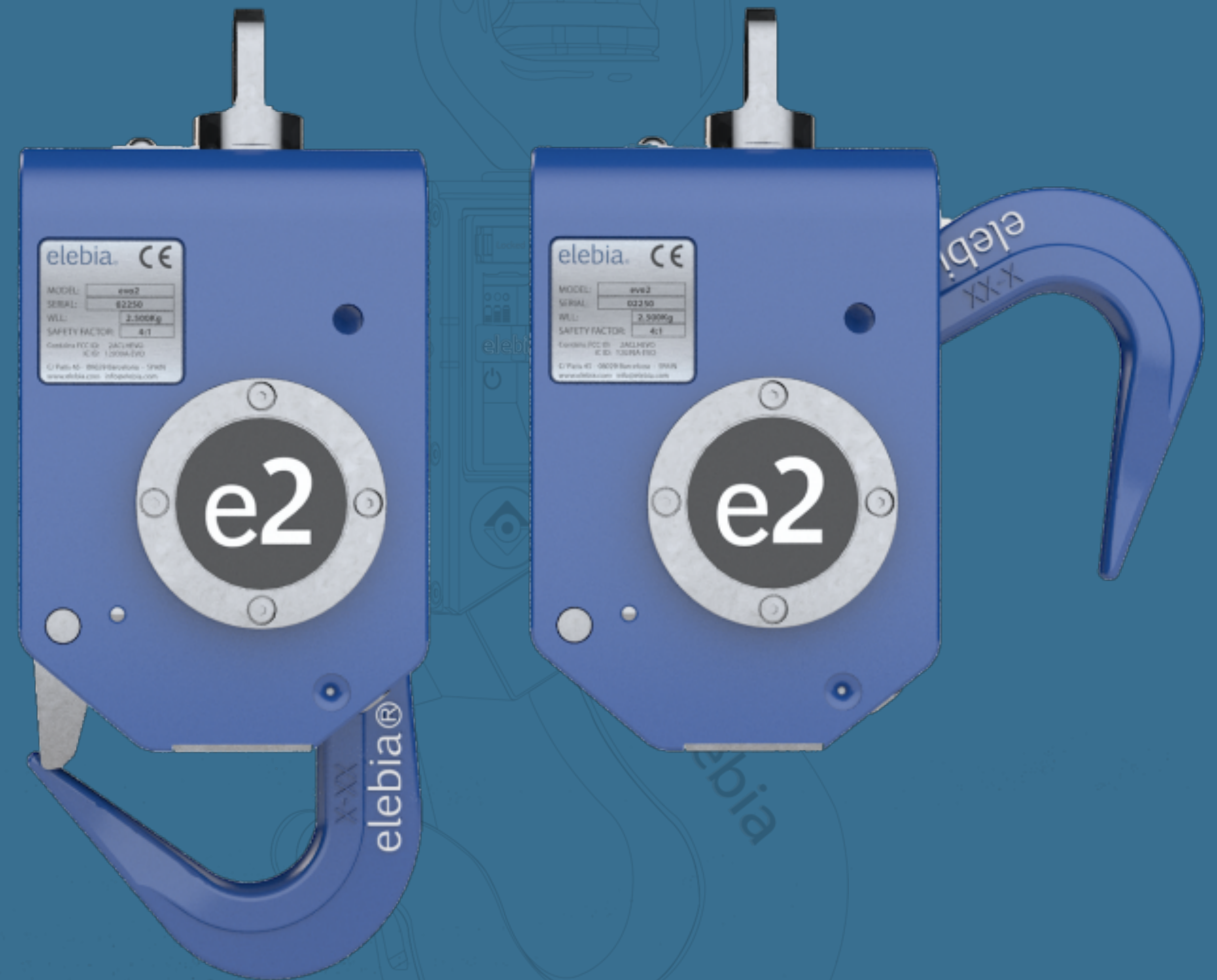
2. The magnet orientates the ring



3. Adjust the lifting hook and elevate the load

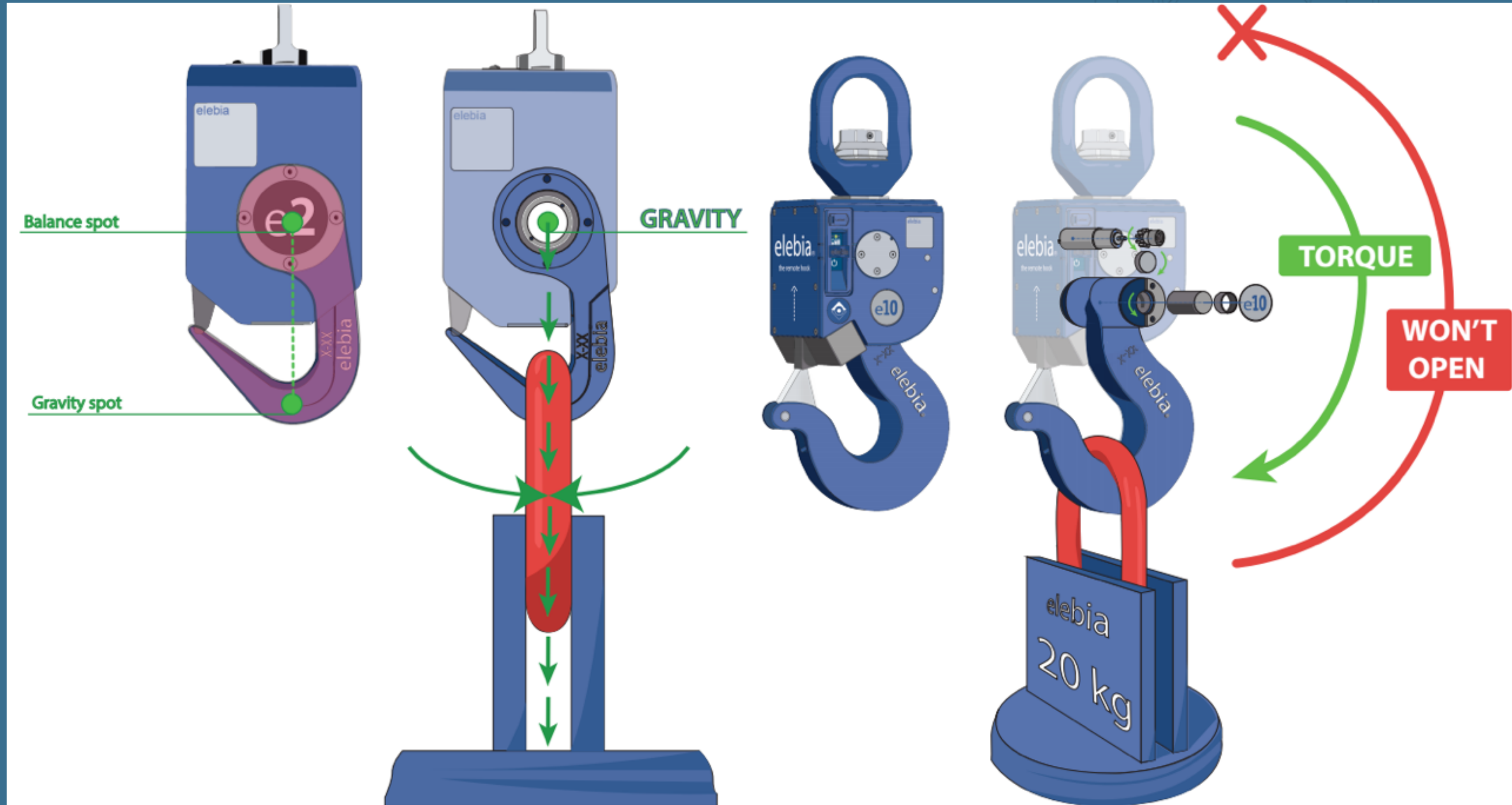
main features

- Hook on and release the loads remotely
- Increases productivity, safety and confort.
- Indication of weight on each hook and totalizer
- Alarms (unbalance, overload...)
- Track all events and export to spreadsheet
- Control multiple hooks



failsafe design

The elebia autohook **won't open** if there are any suspended loads.



Gravity avoids the opening of the hook if there's any load suspended.

Our range of hooks incorporate an STL (Security Torque Limit), an electronic device that controls the motor torque and cancels the operation if an overload is detected.

All of our designs are geometrically failsafe, without depending on any sensors or electric components.

our hooks

e2



e5



e10c



e10



e20



e25*



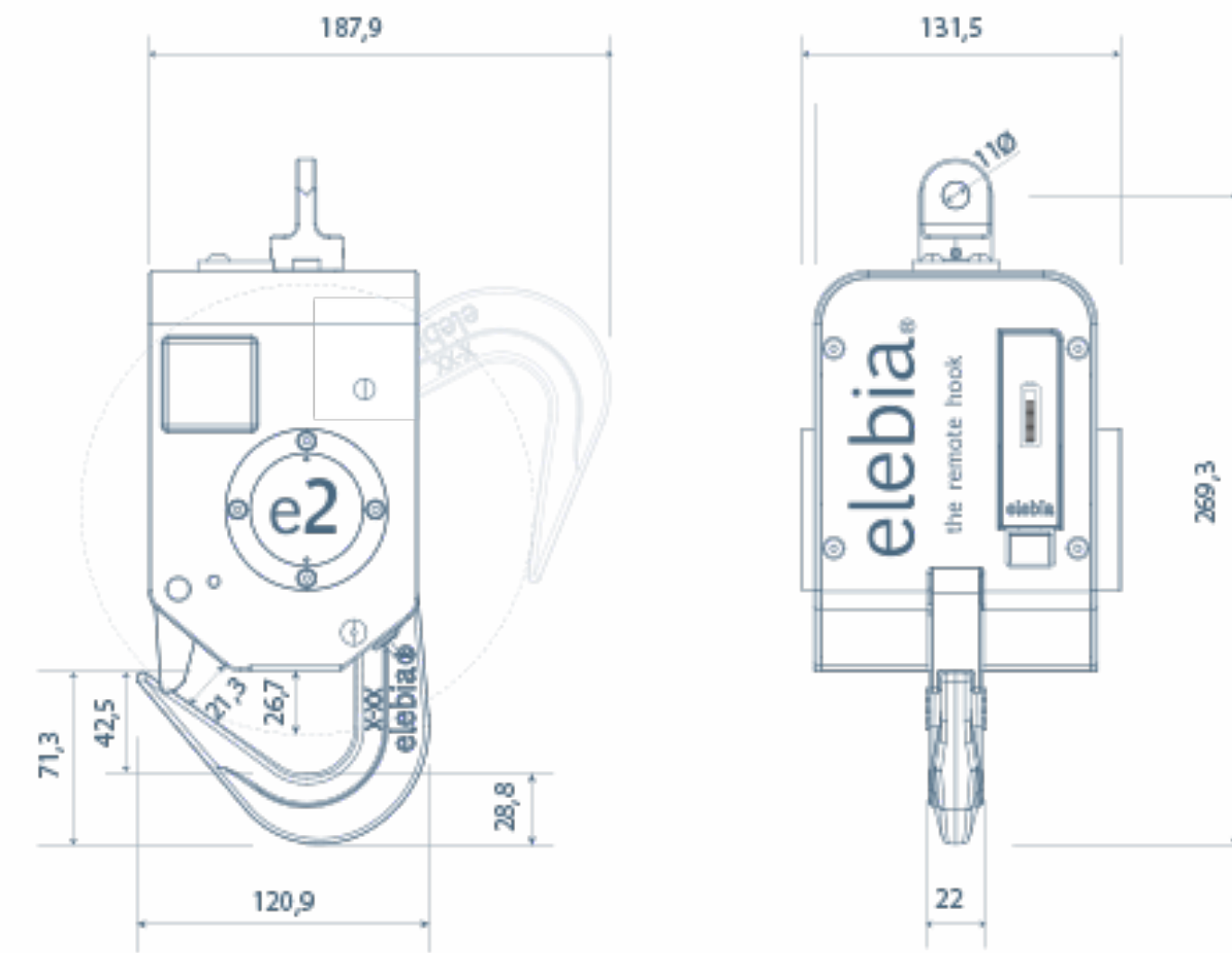
*e25 available soon

our hooks

e2



| | |
|--|-----------------|
| HOOK MODEL | evo2 |
| WORKING LOAD LIMIT SAFETY FACTOR 4:1 | 2.500 Kg |
| APPROXIMATE WEIGHT | 8,3 Kg |



our hooks

e5



HOOK MODEL evo5

WORKING LOAD LIMIT
SAFETY FACTOR 4:1

5.000 Kg

TOP LINK OPTION

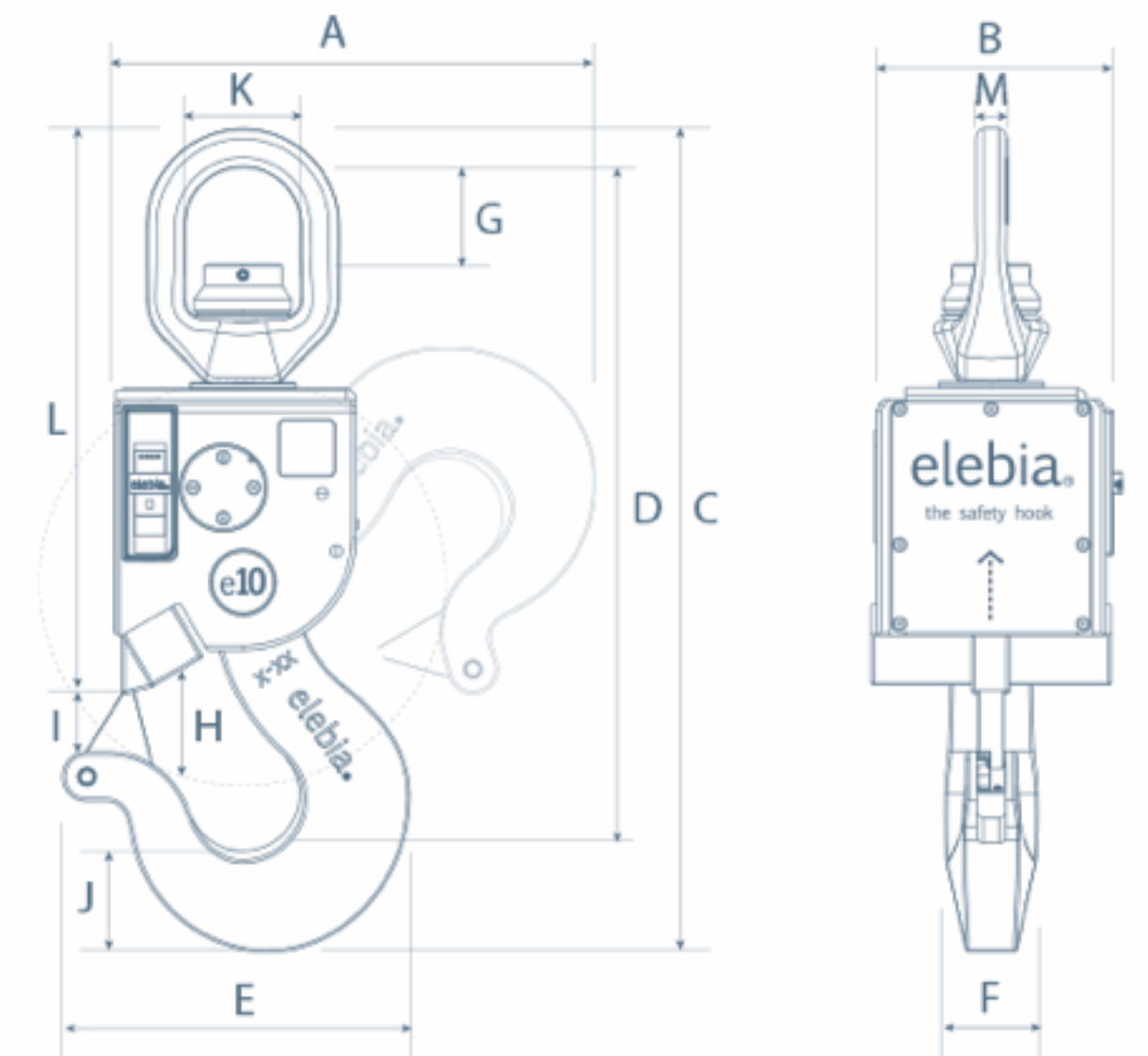
| -- | B10 | B20 | L5 |
|----|-----------------|-----------------|----------------|
| | Ref. OPTION B10 | Ref. OPTION B20 | Ref. OPTION L5 |
| | | | |

APPROXIMATE WEIGHT

26 Kg 31 Kg 38 Kg --* Kg

SIZE CHART

| | | | | |
|---|-------------|---------------|---------------|-------------|
| A | 277 / 10.91 | 277 / 10.91 | 277 / 10.91 | 277 / 10.91 |
| B | 170 / 6.69 | 170 / 6.69 | 170 / 6.69 | 170 / 6.69 |
| C | 469 / 18.46 | 519,8 / 20.46 | 598,9 / 23.58 | CUSTOM |
| D | 409 / 16.10 | 451,3 / 17.76 | 519,5 / 20.45 | CUSTOM |
| E | 194 / 7.64 | 194 / 7.64 | 194 / 7.64 | 194 / 7.64 |
| F | 43 / 1.70 | 43 / 1.70 | 43 / 1.70 | 43 / 1.70 |
| G | 49 / 1.93 | 68 / 2.68 | 105 / 4.13 | CUSTOM |
| H | 57,6 / 2.26 | 57,6 / 2.26 | 57,6 / 2.26 | 57,6 / 2.26 |
| I | 25 / 0.98 | 25 / 0.98 | 25 / 0.98 | 25 / 0.98 |
| J | 41 / 1.61 | 41 / 1.61 | 41 / 1.61 | 41 / 1.61 |
| K | 58 / 2.28 | 82 / 3.23 | 115 / 4.53 | CUSTOM |
| L | 350 / 13.78 | 400,4 / 15.76 | 480 / 18.87 | CUSTOM |
| M | 15 / 0.59 | 22 / 0.87 | 29 / 1.14 | CUSTOM |



our hooks

e10c



HOOK MODEL

evo10c

**WORKING
LOAD LIMIT**
SAFETY FACTOR 4:1

10.000 Kg

TOP LINK OPTION

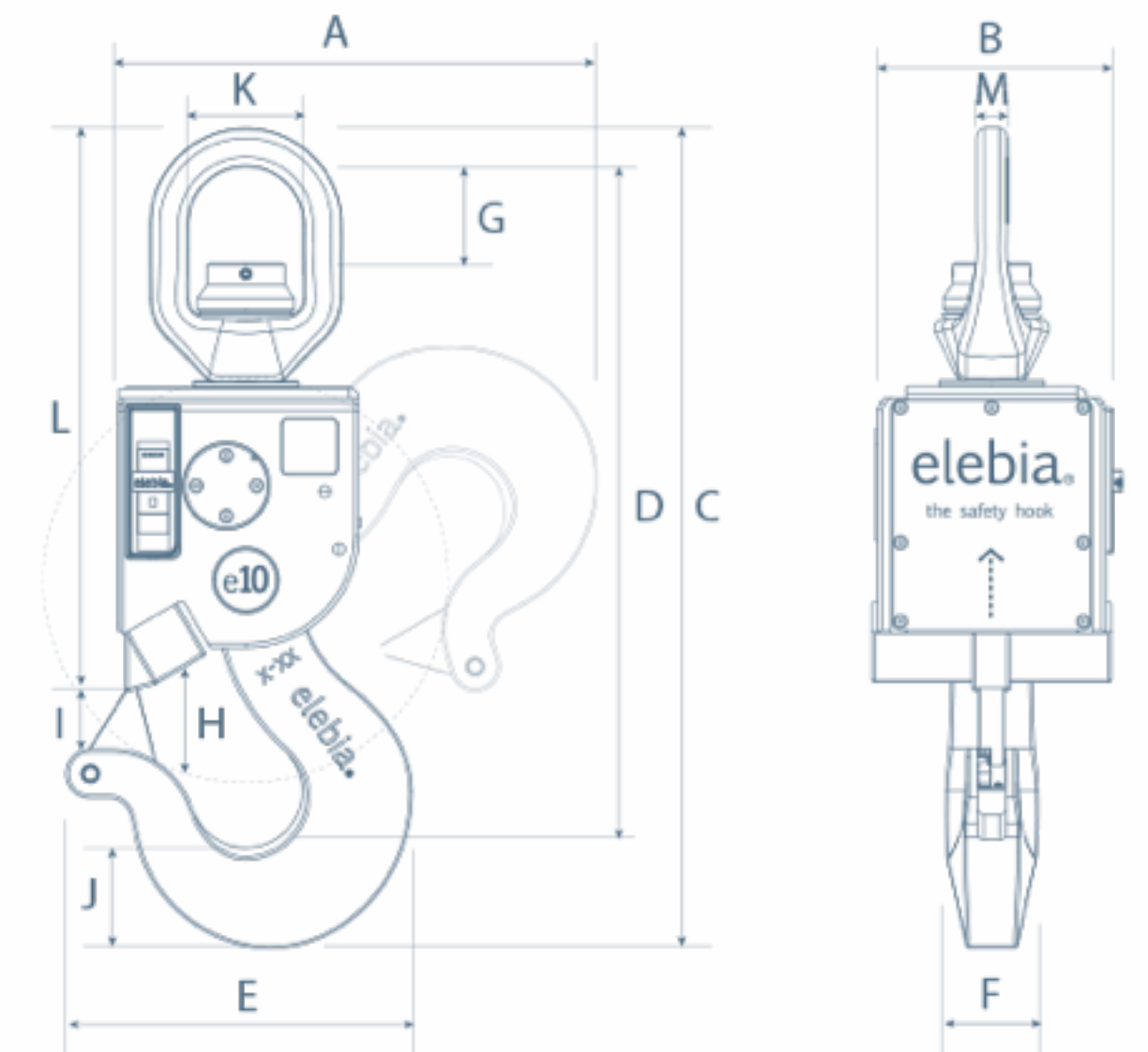


APPROXIMATE WEIGHT

31 Kg 38 Kg --* Kg

SIZE CHART

| | | | |
|---|---------------|---------------|-------------|
| A | 277 / 10.91 | 277 / 10.91 | 277 / 10.91 |
| B | 170 / 6.69 | 170 / 6.69 | 170 / 6.69 |
| C | 519,8 / 20.46 | 598,9 / 23.58 | CUSTOM |
| D | 451,3 / 17.76 | 519,5 / 20.45 | CUSTOM |
| E | 194 / 7.64 | 194 / 7.64 | 194 / 7.64 |
| F | 43 / 1.70 | 43 / 1.70 | 43 / 1.70 |
| G | 68 / 2.68 | 105 / 4.13 | CUSTOM |
| H | 57,6 / 2.26 | 57,6 / 2.26 | 57,6 / 2.26 |
| I | 25 / 0.98 | 25 / 0.98 | 25 / 0.98 |
| J | 41 / 1.61 | 41 / 1.61 | 41 / 1.61 |
| K | 82 / 3.23 | 115 / 4.53 | CUSTOM |
| L | 400,4 / 15.76 | 480 / 18.87 | CUSTOM |
| M | 22 / 0.87 | 29 / 1.14 | CUSTOM |



our hooks

e10



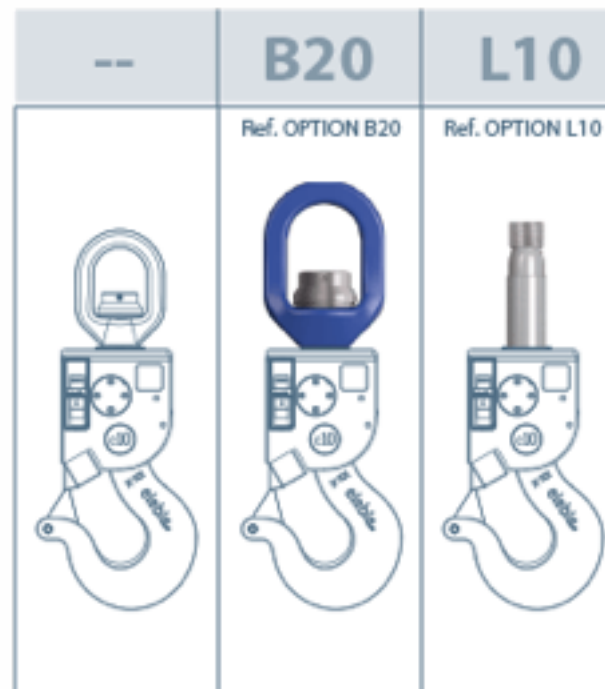
HOOK MODEL

evo10

WORKING
LOAD LIMIT
SAFETY FACTOR 4:1

10.000 Kg

TOP LINK OPTION

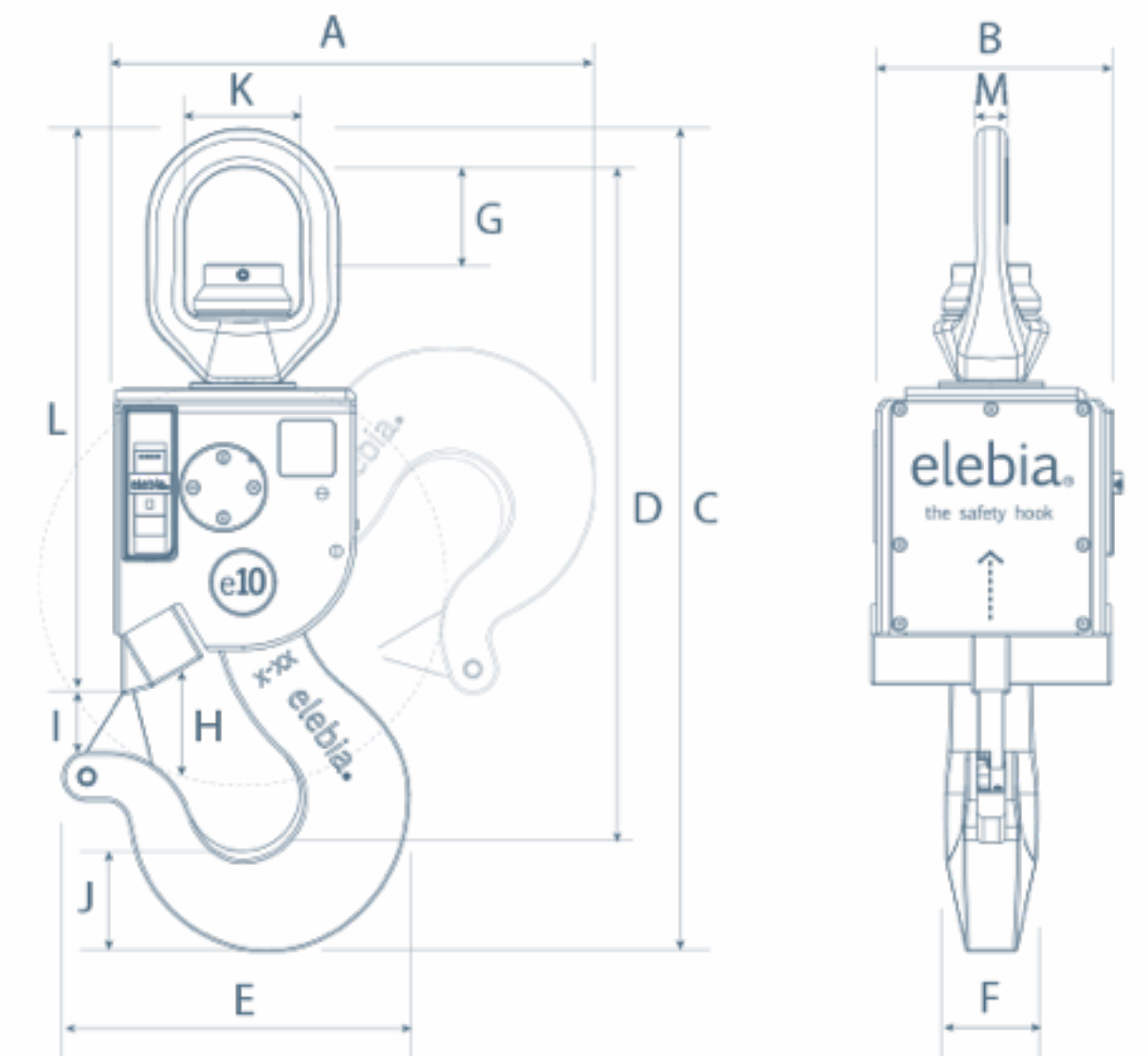


APPROXIMATE
WEIGHT

36 Kg 43 Kg --* Kg

SIZE CHART

| | | | |
|---|---------------|--------------|--------------|
| A | 342 / 13.46 | 342 / 13.46 | 342 / 13.46 |
| B | 182,3 / 7.18 | 182,3 / 7.18 | 182,3 / 7.18 |
| C | 584 / 23.99 | 663 / 26.10 | CUSTOM |
| D | 485 / 19.10 | 553 / 21.77 | CUSTOM |
| E | 246 / 9.68 | 246 / 9.68 | 246 / 9.68 |
| F | 66 / 2.60 | 66 / 2.60 | 66 / 2.60 |
| G | 68 / 2.68 | 105 / 4.13 | CUSTOM |
| H | 83 / 3.27 | 83 / 3.27 | 83 / 3.27 |
| I | 42 / 1.65 | 42 / 1.65 | 42 / 1.65 |
| J | 72 / 2.83 | 72 / 2.83 | 72 / 2.83 |
| K | 82 / 3.23 | 115 / 4.53 | CUSTOM |
| L | 400,4 / 15.76 | 480 / 18.90 | CUSTOM |
| M | 22 / 0.87 | 29 / 1.14 | CUSTOM |



our hooks

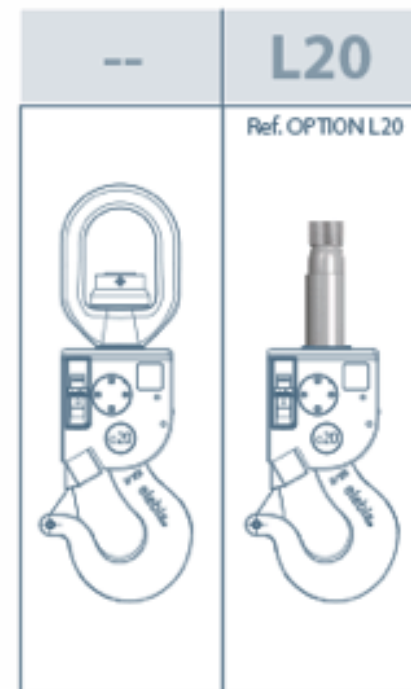


HOOK MODEL evo20

WORKING LOAD LIMIT
SAFETY FACTOR 4:1

20.000 Kg

TOP LINK OPTION



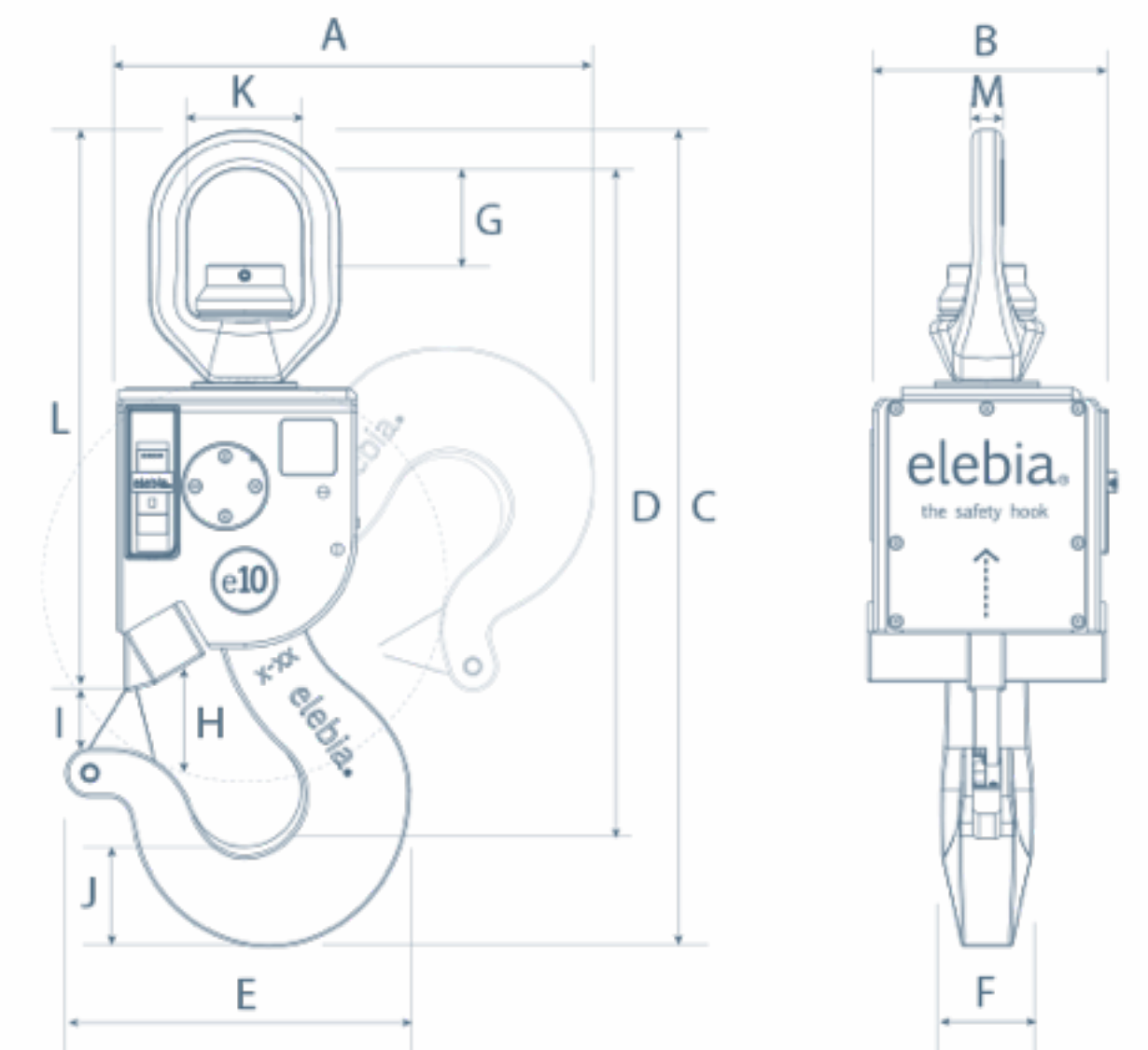
APPROXIMATE WEIGHT

43 Kg --* Kg

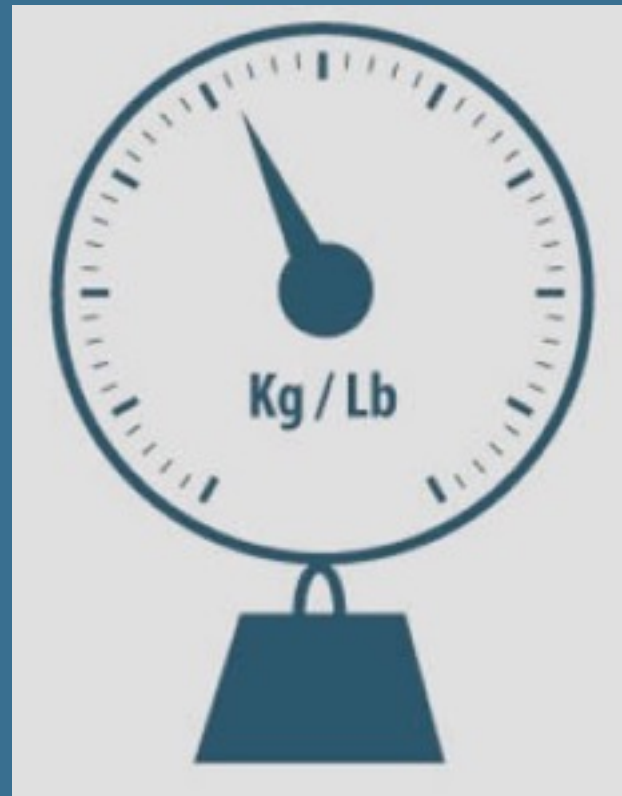
SIZE CHART

*L Size is on demand

| | | |
|---|--------------|--------------|
| A | 341 / 13.43 | 341 / 13.43 |
| B | 182,3 / 7.18 | 182,3 / 7.18 |
| C | 663 / 26.10 | CUSTOM |
| D | 553 / 21.77 | CUSTOM |
| E | 246 / 9.68 | 246 / 9.68 |
| F | 66 / 2.60 | 66 / 2.60 |
| G | 105 / 4.13 | CUSTOM |
| H | 83 / 3.27 | 83 / 3.27 |
| I | 42 / 1.65 | 42 / 1.65 |
| J | 72 / 2.83 | 72 / 2.83 |
| K | 115 / 4.53 | CUSTOM |
| L | 480 / 18.90 | CUSTOM |
| M | 29 / 1.14 | CUSTOM |



hook features



Weighing scale

All evo units can be upgraded with a load cell to weigh the load being lifted. Precise, reliable, rugged, compact and fully integrated into the autohook, no increase in weight and dimensions of the unit. Load cells can also be retrofitted to old evo models. It is good for preventing overloads.

Special environment adaptation

The hooks can be customised for the following extreme environments:

Marine



Atex



Extr. Heat



DNV



Magnetic system

Elebia Automatic hooks come with a unique magnetic system, formed by 32 neodymium permanent magnets placed in a precise configuration to generate an orientated magnetic field. It has 3 functions: attract, center and orientate the masterlink.

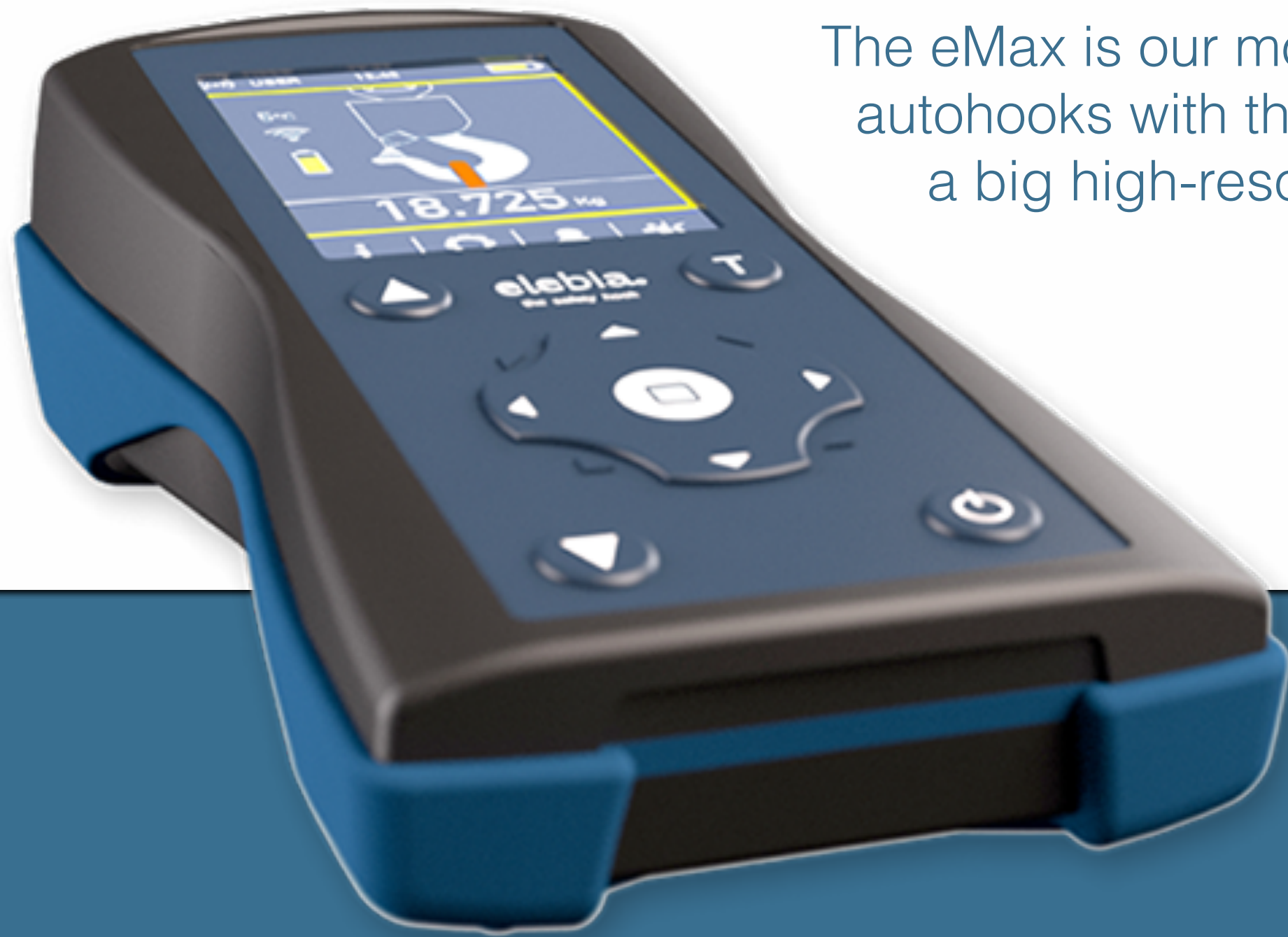


the remote control

Elebia produces different remote controls tailored to customer needs. All of them allow simple, flexible, precise and reliable control in a failsafe way. One remote can be paired to one hook or many, and one hook can be controlled by many remotes.

The eMax is our most advanced remote control, able to control autohooks with the weighing scale. It displays all the info with a big high-resolution screen, and a high profile keypad yet remains handy and lightweight.

The remote can control and display many autohooks. The display adapts itself to the situation (1, 2, 3, or even 24 hooks).



The eMini remote control is our most small, simple and ergonomic remote. It can be integrated into a glove or a wrist belt.

advantages

1. It is possible to hook and unhook remotely.
2. Elebia eliminates the need to move up and down the truck bed or climb to elevated and dangerous places.
3. The user can choose the most convenient slinging method for each application: metal rings, cable slings, textile slings, etc.
4. The Elebia system will improve the overall productivity, safety and comfort of your lifting operations
5. Increased productivity:
 - Saving time
 - Reducing injuries
 - Savings on staff
 - Saving machinery (basket lift, forklift)



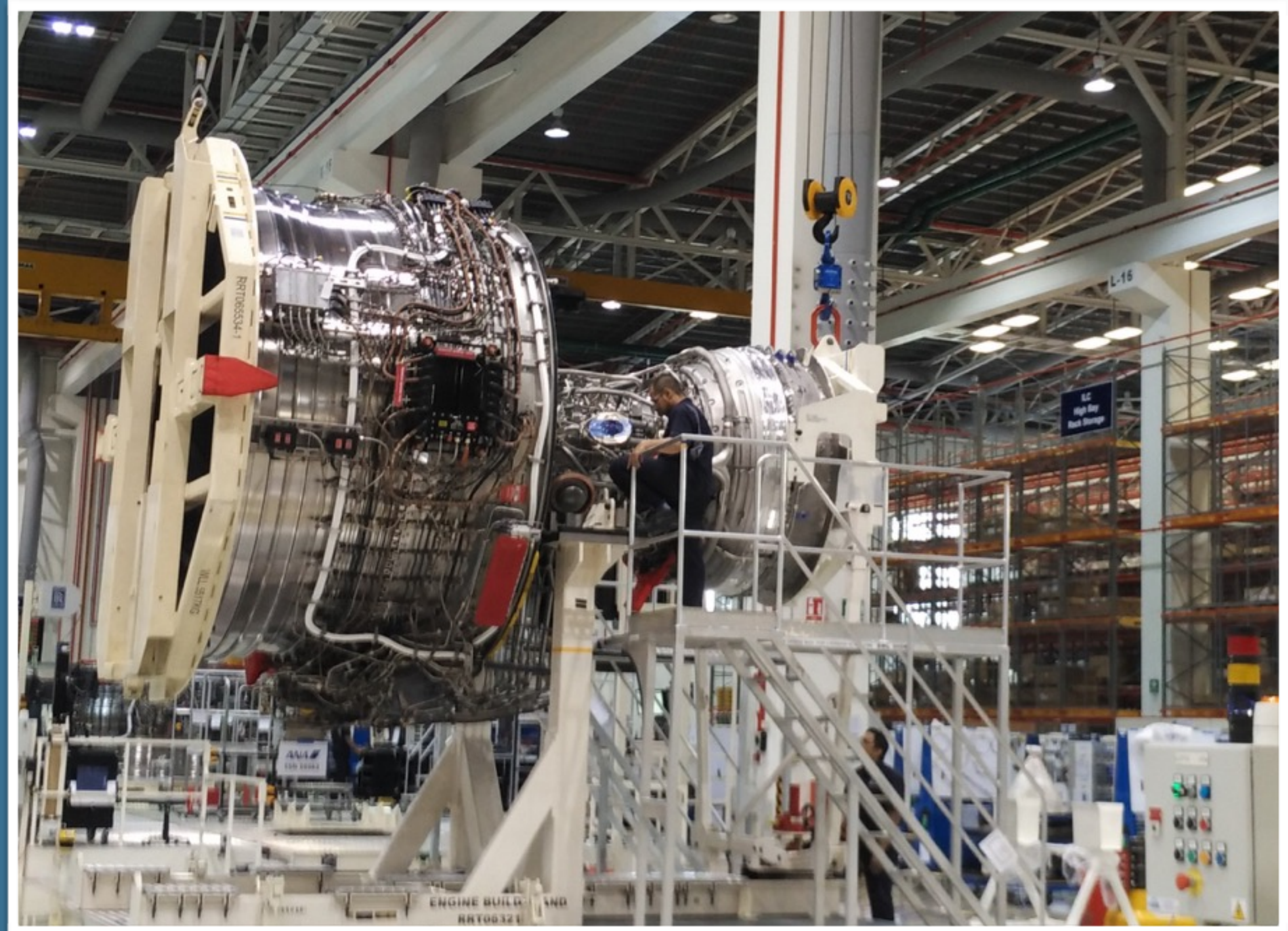
advantages

6. Security enhancements:

- Altitude operations, eliminating the risk of a fatal accident
- Reducing injuries and chronic ailments by eliminating repetitive movements and displacements
- Eliminates the risk of hand injuries (cuts, crushing, etc.) by not having to touch slings and other lifting accessories
- Avoiding the handling of toxic materials, preventing contact with the operator
- In areas with high temperatures or presence of toxic gases, prevents exposing workers

7. Comfort:

- The elebia automatic hook increases user comfort in the workplace, reducing the effort needed
- Improve working conditions, productivity and safety



elebia®

the remote hook

www.elebia.com

ELEBIA AUTOHOOKS S.L.U.

Torre TCM2, Planta 2, Mòdul 1, Av. Ernest Lluch 32
(Porta Laietana) 08302 Mataró (Barcelona), Spain